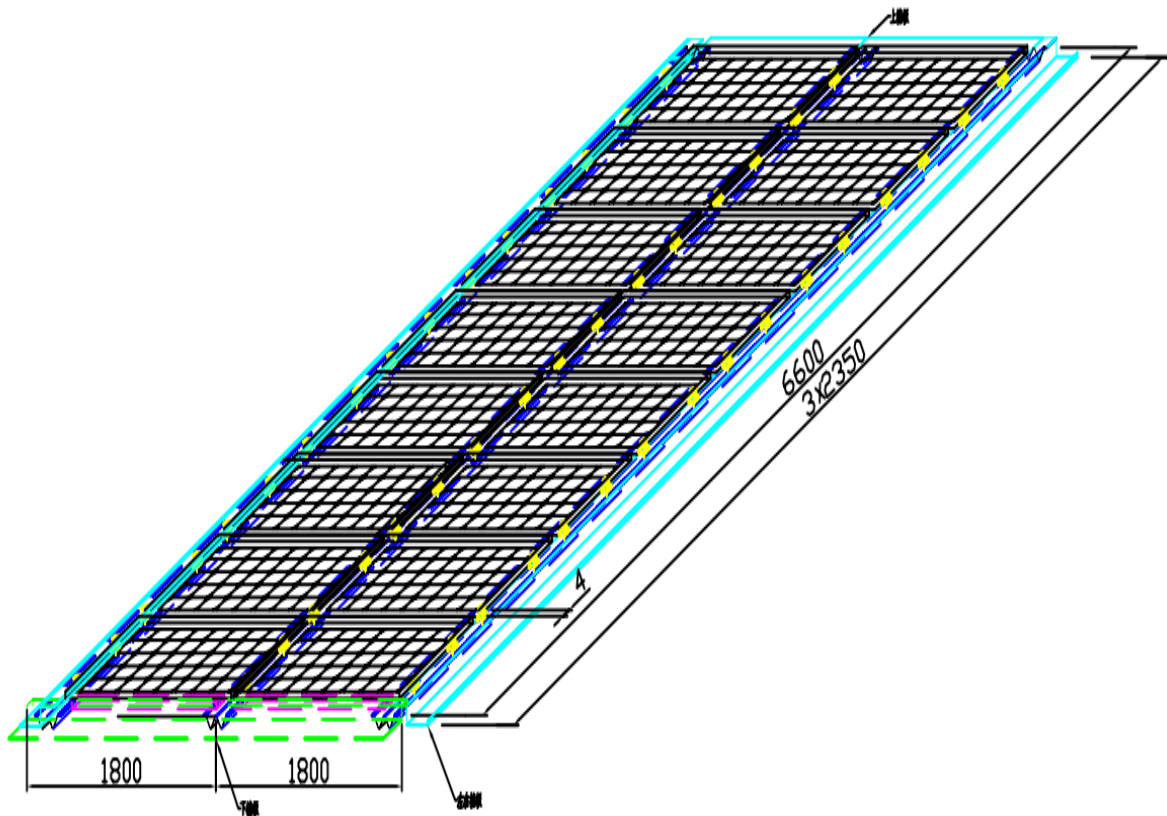


BIPV Mounting structure installation



Components:

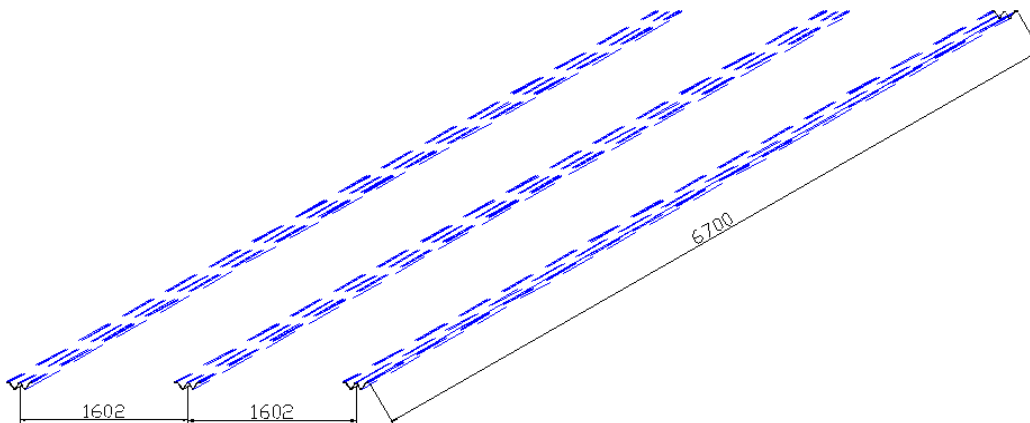
NO.	Item		Specification	Unit	Quantity
1	Solar panel	180-200W	1580*808*45	pcs	16
2	W-trough		6.7m	pcs	3
3	U-Lateral trough		1.42m	pcs	18
4	Upper water proof cover		6.6m	pcs	3
5	Inter Clamp			pcs	48
6	Padding block			pcs	48
7	Bolts and Nuts		φ5.5*100	pcs	30
8	Bolts and Nuts		φ5*75	pcs	48
9	Bolts and Nuts		φ5*25	pcs	12
10	Double-sided adhesive		15mm	meter	50
11	Upper baffle		200*24*1800	pcs	2
12	Left、Right baffle		200*73*2350	pcs	6
13	Lower baffle		150*95*1800	pcs	2
14	pinch plate		116*65*2350	pcs	6
15	Plywood		110*34.5*610	pcs	18
16	Plywood		33*22*1600	pcs	6

Installation steps(1): Fix the W-trough(Item No.1)

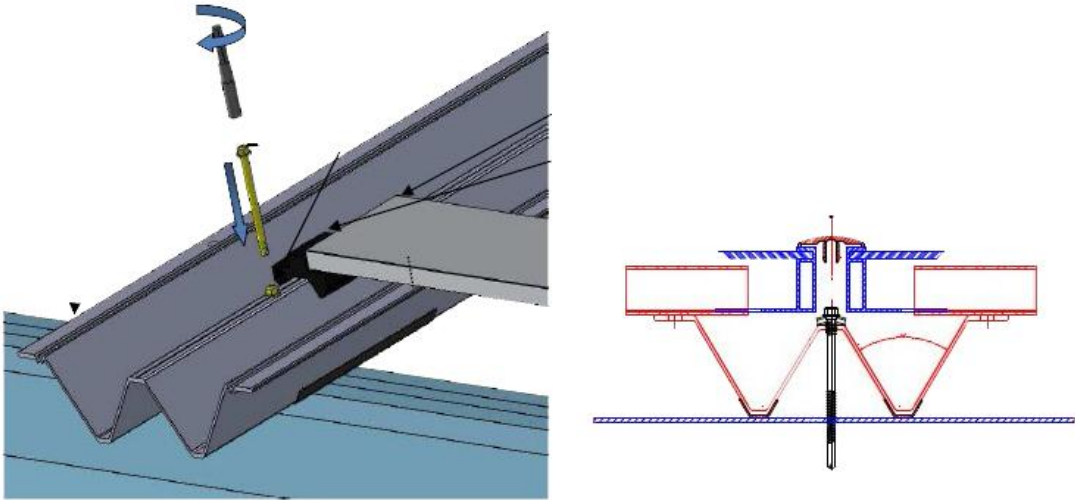
Get ready 3pcs*6700mm W-trough and fix them with Bolts&Nuts of Item No.7 ($\varnothing 5.5*100\text{mm}$), installation tool of the drill will be used. The distance between the W-trough should be 1602mm (See Sketch map II).

There can be 10 fixed points on each 6700mm W-trough, at least there is one fixed point every meter.

The fixed points should be well-proportioned (See Sketch map III)



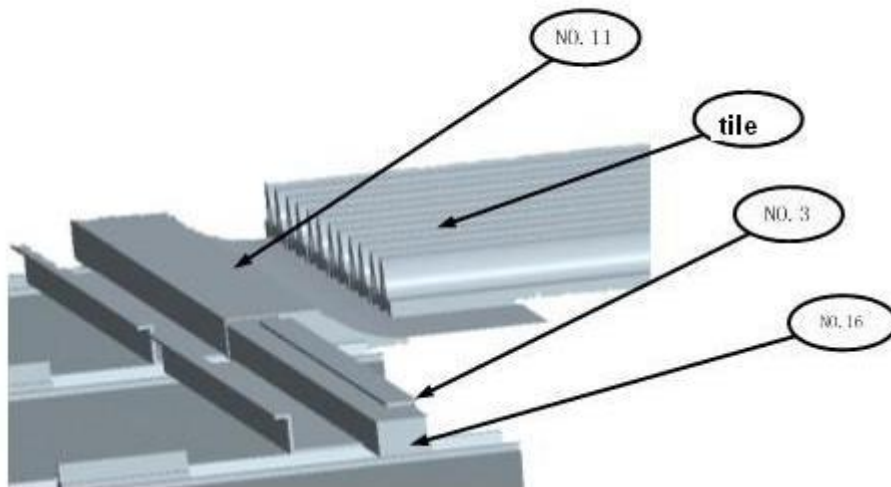
(Sketch map II)



(See Sketch map III)

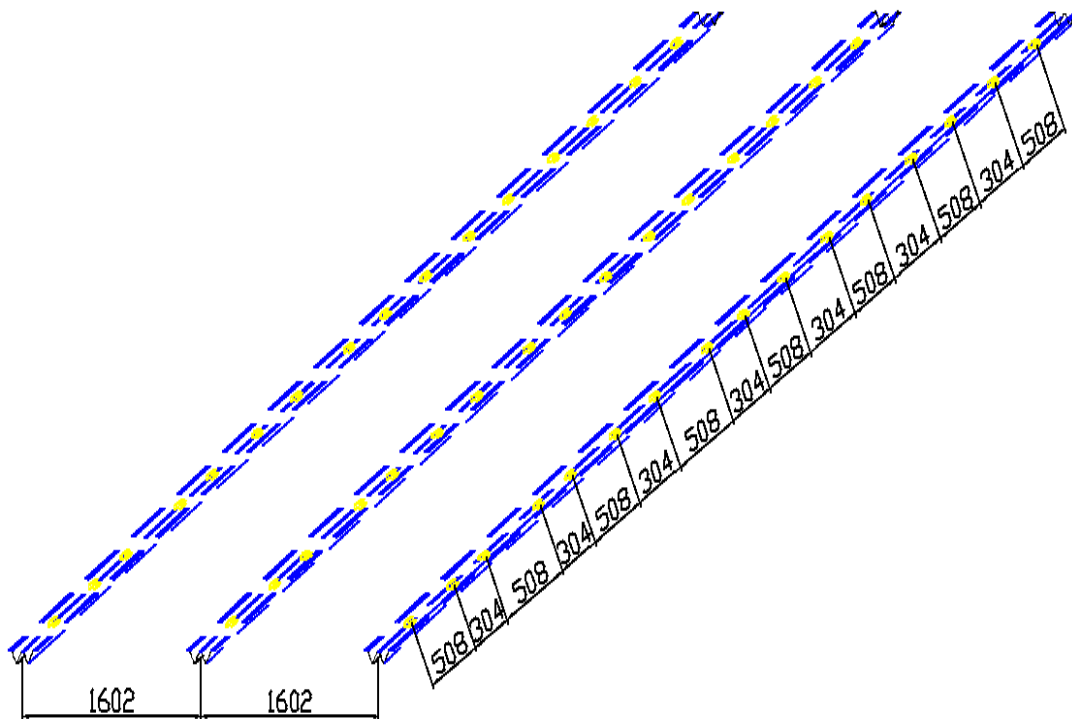
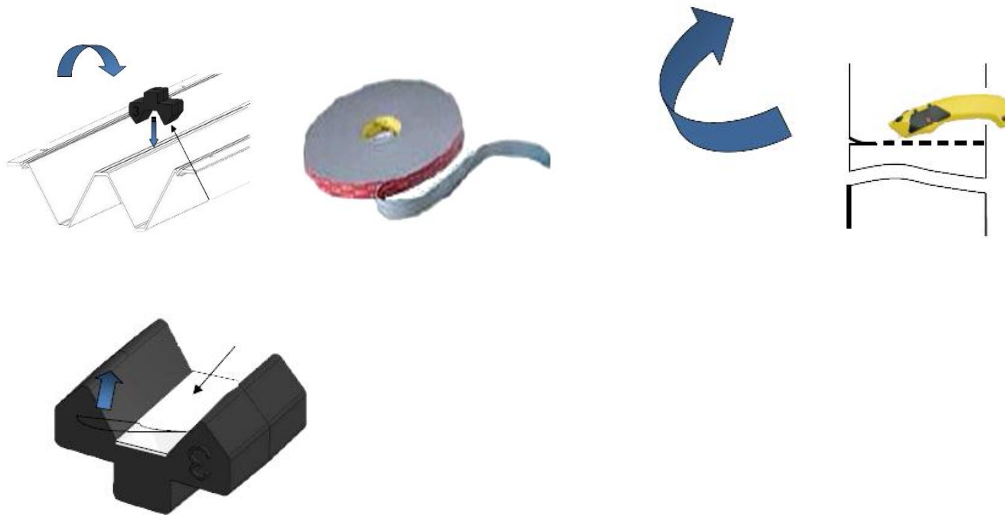
Installation steps(2):

- 1、 Fix the Upper baffle NO.11--200*24*1800
- 2、 Fix U-Lateral trough NO.3
- 3、 Fix solar panel NO.1 — 2pcs



Installation steps(3):

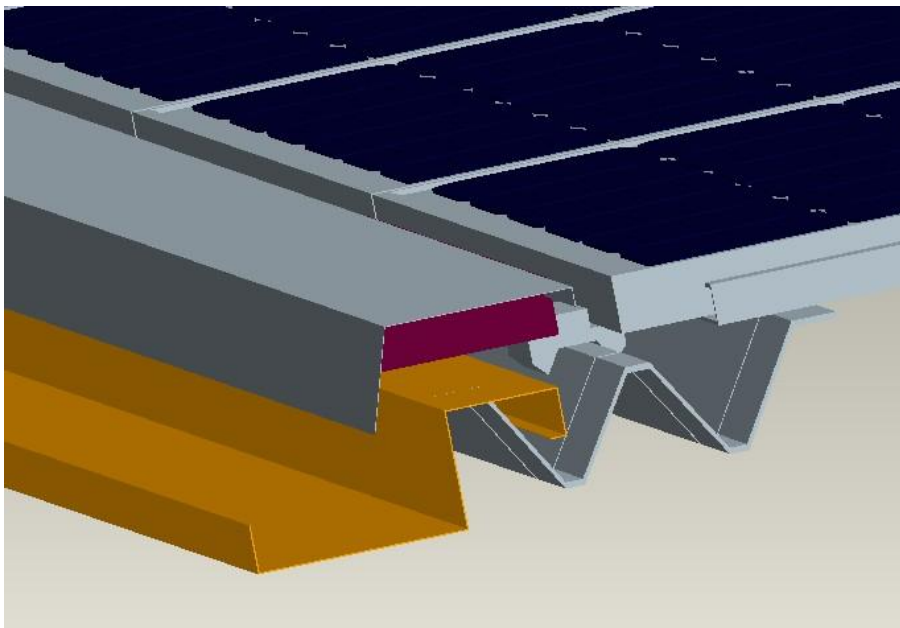
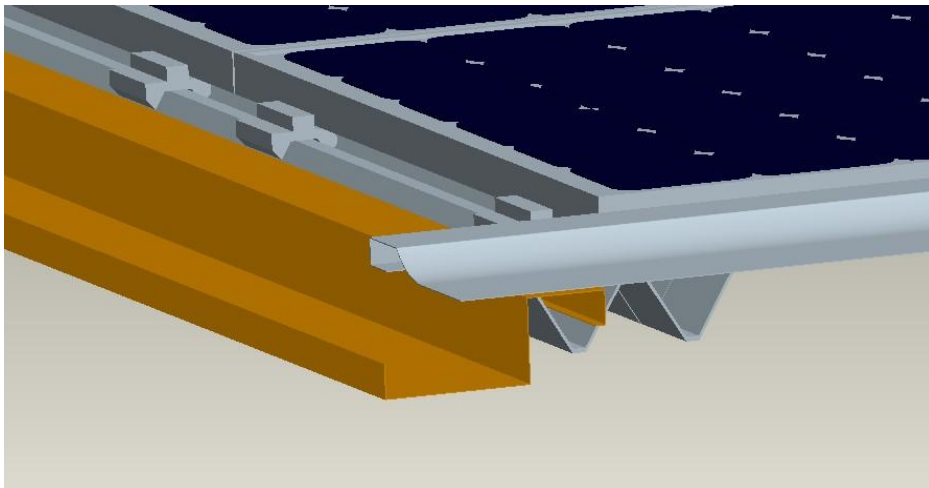
Stick NO.6 (Padding block)



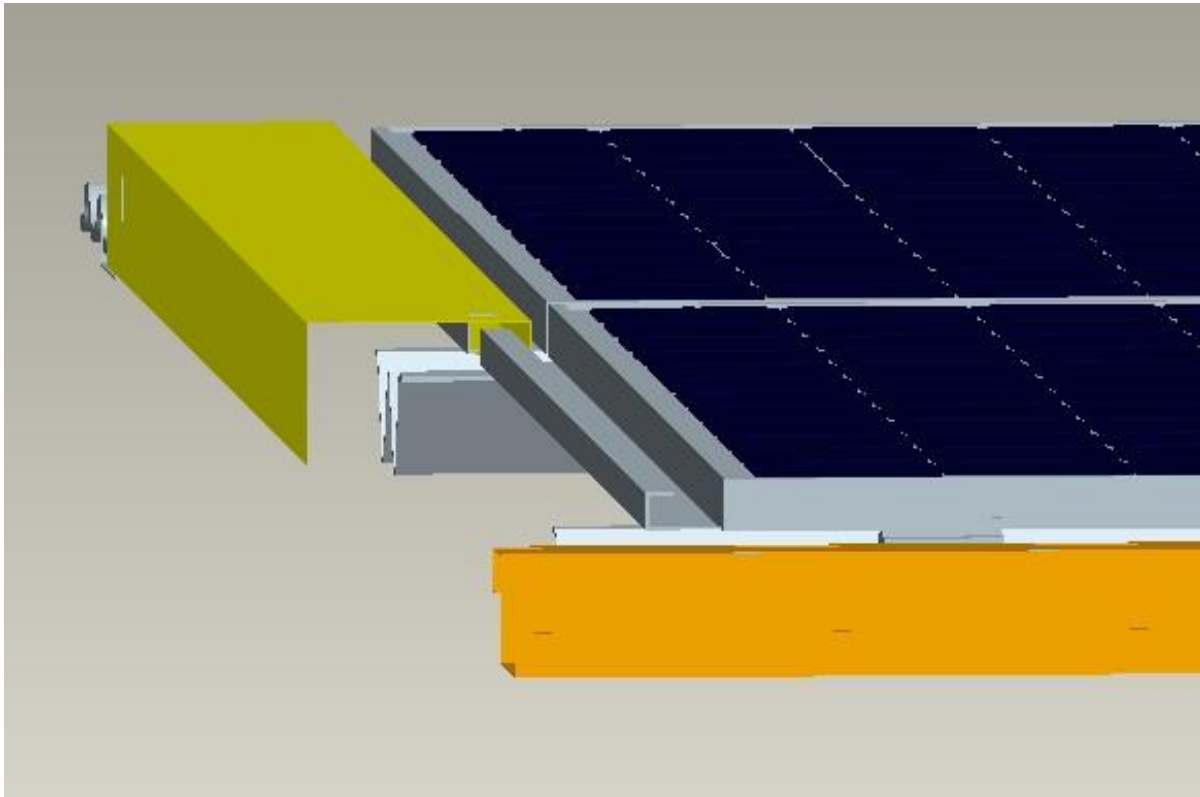
Dimension Unit: (mm)

Installation steps(4):

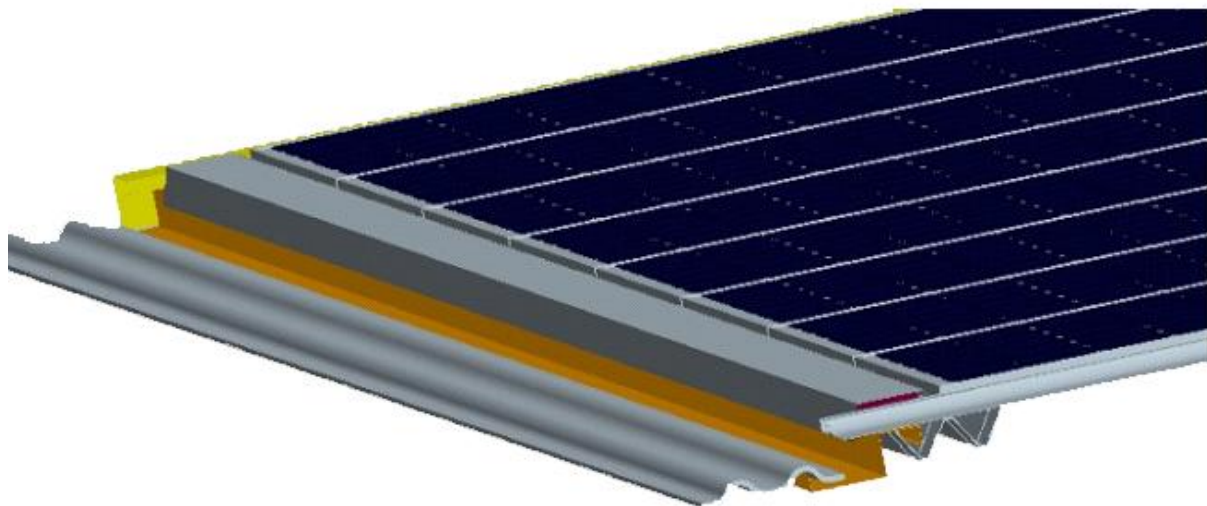
Install Left、Right baffle NO.12



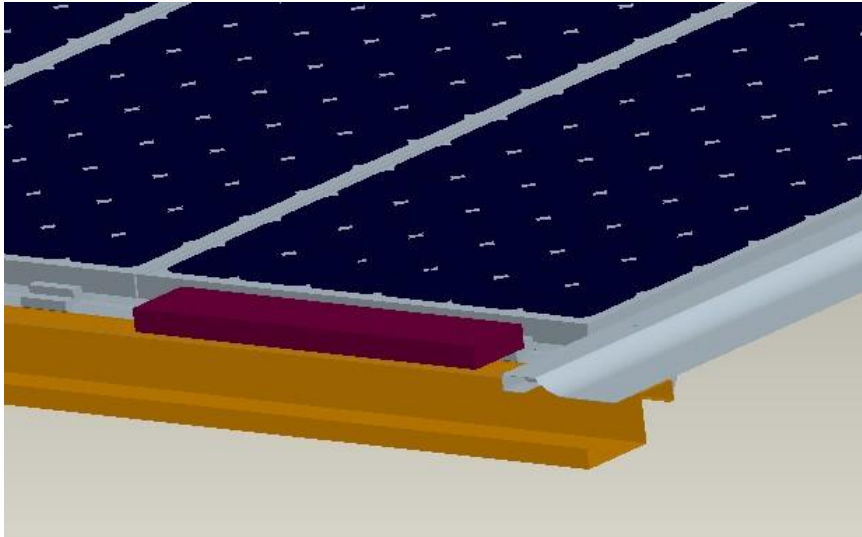
Install the Lower baffle NO.13



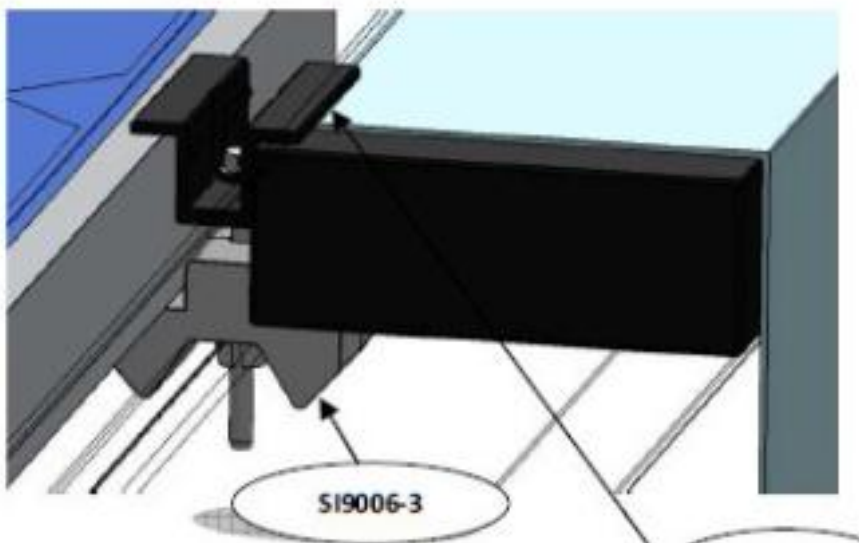
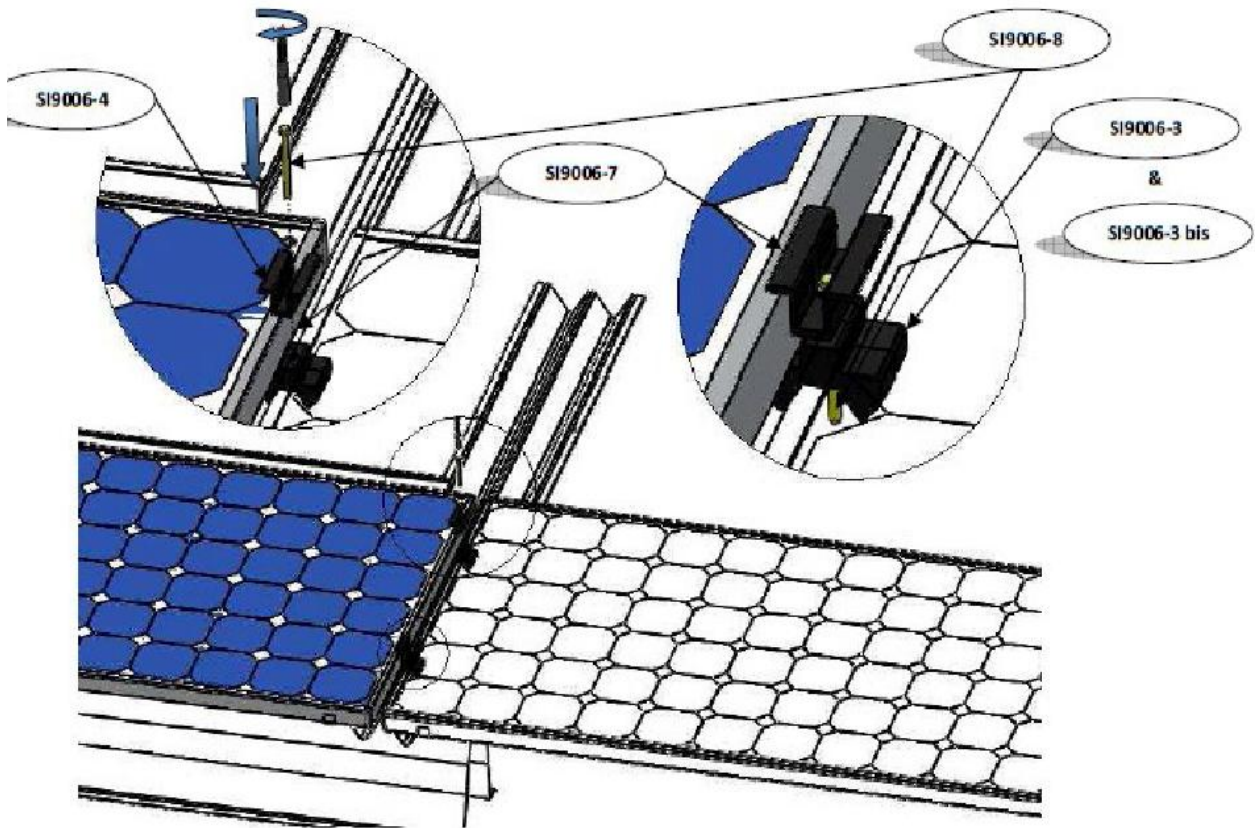
Install the pinch plate NO14



Install the supporting wood NO.15



Inter Clamp NO5



Install the Upper water proof cover NO4

