

# ESS 112kWh

# ESS 261kWh

This is a versatile solution applicable to charging stations, factories, industrial parks, and commercial buildings. Boasting a high-density, modular design, this energy storage system minimize spatial needs, enhance transportability, and simplify installation and maintenance, ensuring top efficiency from deployment through operation.

### Intelligent Efficiency

- All-in-one Design, Space Saving
- Highly Consistent LFP Battery, High Energy Density
- Cluster-level Battery Management, Improve Energy
- Utilization Smart Temperature Control, 8000+ Battery Long Cycles

### Save Cost, Scale Flexibly

- Scalable up to MWh
- 1.35m<sup>2</sup> Footprint, Flexible Deployment & Dispatch 3-in-1
- Integrated, Factory Configured & Tested
- Global Fast Delivery, On-Site Rapid Response

### Intelligent Management and Application

- Supporting Grid-connected and Off-grid
- Self-Diagnosis and Remote OTA



## PRODUCT STRUCTURE

ESS

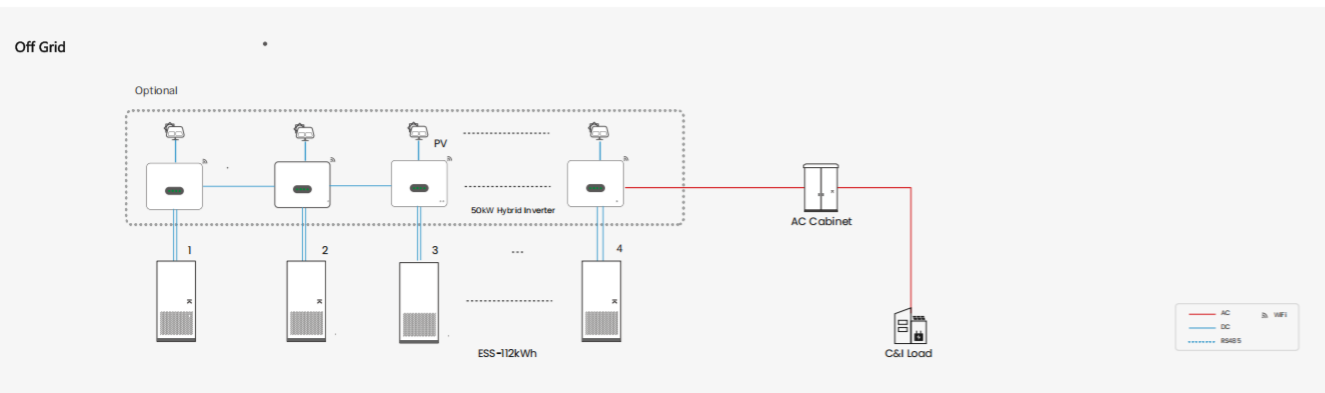
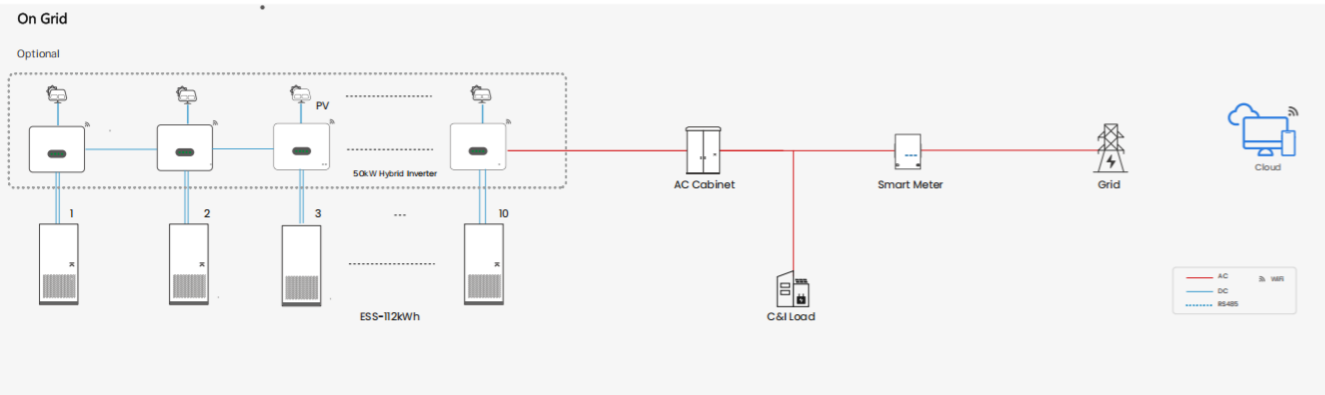


## ESS-112kWh

Model	ESS-112kWh
<b>Battery Parameters</b>	
Nominal DC Voltage	358.4V
Battery Voltage Range	313.6- 403.2V
Battery Type	LFP 314 Ah
Battery Module Specification	1P16S 51.2V 314Ah 16.08kWh
Number of Packs	7
Total Energy	112.54kWh
Rated Charge/Discharge Current	157 / 157 A
Depth of Discharge	Max. DOD:100%; Recommend DOD:90%
Operating Temperature	Charge: 0 ~ 55°C; Discharge: -20 ~ 55°C
<b>General</b>	
Dimension (W*H*D)	750*2200*1100mm
Weight	1250 kg
Operation Temperature	-20 ~ 55 °C (derating at 40°C)
Relative Humidity	5% ~ 95%
Max. Operating Altitude	2000m
Cooling	Air Condition Cooling
Ingress Protection	IP54
Anti-corrosion Level	C4
Fire Protection	Aerosol, PACK-level fire protection, Pressure relief
Communication Interface	RS485 / CAN
Certificates and Approvals	CE/UN38.3/MSDS

## TYPICAL APPLICATION SCENARIOS

### Hybrid ESS Solution



## PRODUCT STRUCTURE



## ESS-261kWh

ESS

Model	ESS-261kWh
<b>Battery Parameters</b>	
Nominal DC Voltage	832 V
Battery Voltage Range	728~ 936V
Battery Type	LFP 314 Ah
Battery Module Specification	1P52S 166.4V 314Ah 52.2kWh
Number of Packs	5
Total Energy	261.2 kWh
Rated Charge/Discharge Current	157 / 157 A
Depth of Discharge	Max. DOD:100%; Recommend DOD:90%
Operating Temperature	Charge: 0 ~ 55°C; Discharge: -20 ~ 55°C
<b>General</b>	
Dimension (W*H*D)	1055*2300*1300mm
Weight	2600 kg
Operation Temperature	-20 ~ 55 °C (derating at 40°C)
Relative Humidity	5% ~ 95%
Max. Operating Altitude	2000m
Cooling	Battery: Liquid Cooling; PCS: Fan Cooling
Ingress Protection	IP54
Anti-corrosion Level	C4
Fire Protection	Aerosol· PACK-level fire protection· Pressure relief
Communication Interface	RS485 / CAN
Certificates and Approvals	IEC 61000, IEC 62619, IEC 63056, IEC 62477, RoHs, UN38.3

## TYPICAL APPLICATION SCENARIOS

### Hybrid ESS Solution

